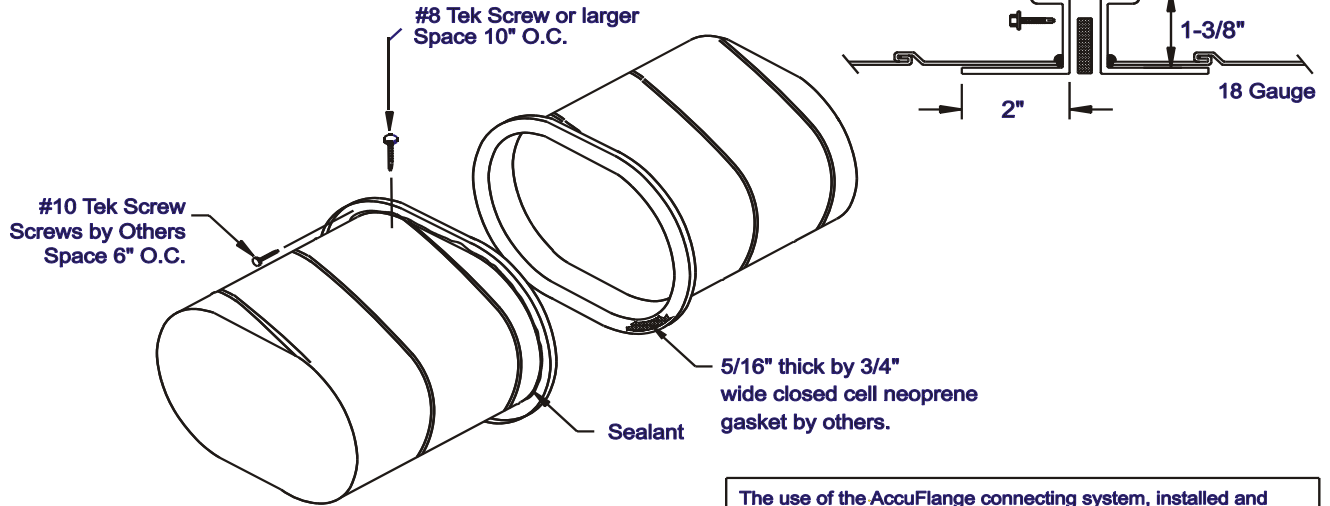


oval AccuFlange submittal

AccuFlange SINGLE WALL



The use of the AccuFlange connecting system, installed and sealed per manufacturer's recommendations, is suitable for use on all systems across a range of internal duct pressures from 10" S.P.W.G. positive to 10" S.P.W.G. negative.

AccuFlange DOUBLE WALL

