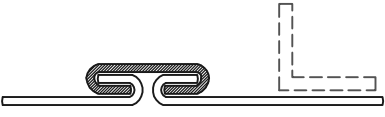

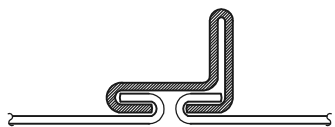
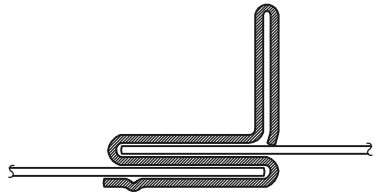
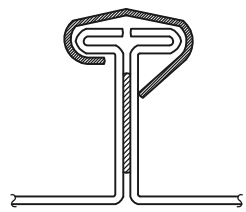
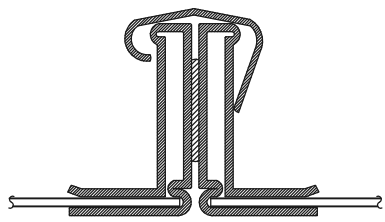
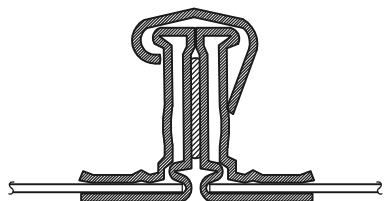


rectangular joint connections

<p>D</p>  <p><u>FLAT DRIVE - SMACNA T-1</u></p>	<p>S</p>  <p><u>HEMMED "S" SLIP - SMACNA T-6</u></p>
<p>SD</p>  <p><u>STANDING DRIVE - SMACNA T-2</u></p>	<p>SS</p>  <p><u>STANDING SLIP - SMACNA T-11</u></p>
<p>TDC</p>  <p><u>TRANSVERSE DUCT CONNECTOR - SMACNA T-25a</u></p>	<p>DM __ _ *</p>  <p>* SPECIFY DM 25, 35, or 45</p> <p><u>DUCTMATE DUCT CONNECTOR - SLIP-ON FLANGE</u></p>
	<p>W _ *</p>  <p>* SPECIFY "H-CONNECT" OR "J-CONNECT"</p> <p><u>WARD DUCT CONNECTOR - SLIP-ON FLANGE</u></p>